



**Building Products**

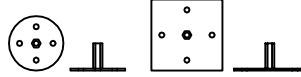
HB&G  
 1015 BRUNDIDGE BLVD.  
 TROY, AL 36081  
 PHONE: 1-800-264-4HBG  
 FAX: 1-334-566-4629  
 www.hbgcolumns.com

SELECT DESIRED FIBERGLASS COLUMN WITH POLY TUSCAN CAP-BASE SET:

- 980024 - 10" X 8' PLAIN ROUND TAPERED
- 980026 - 10" X 10" X 8' PLAIN SQUARE PULTRUDED

SELECT DESIRED WIND LOAD / DECK PLATES (OPTIONAL):

- ROUND     SQUARE



SELECT DESIRED COATING COLOR: (CHROMAGUARD® ENGINEERED COATING)

STANDARD:

- WHITE (INCLUDED)

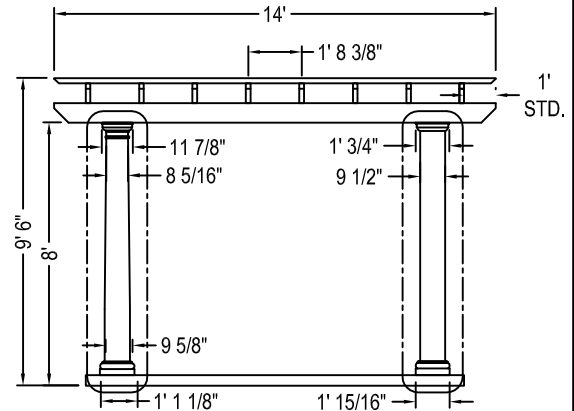
SEMI-CUSTOM:

- LINEN (917058)     ESTATE (917054)
- FOG (917055)     MOSS (917059)
- TRICORN (917061)     SADDLE (917060)
- CREAM (917053)     JAVA (917056)
- LATTE (917057)     CANNON (917052)
- COCOA (917062)

SELECT DESIRED OPTION:

- FAN BRACKET (OPTIONAL)

| TRANQUILITY™ 14' X 14' FREE STANDING FIBERGLASS PERGOLA |    |
|---|----|
| NO. OF SUPPORT / HEADER BEAMS                           | 4  |
| NO. OF RAFTERS  | 8  |
| NO. OF PURLINS  | 12 |
| NO. OF HEADER SUPPORTS                                  | 0  |



14' X 14' TRANQUILITY™ PERGOLA ROUND COLUMN OPTION

14' X 14' TRANQUILITY™ PERGOLA SQUARE COLUMN OPTION

**A** FRONT ELEVATION

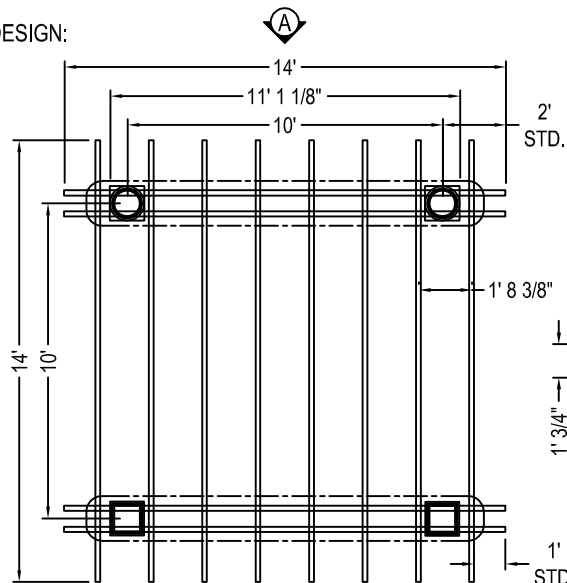
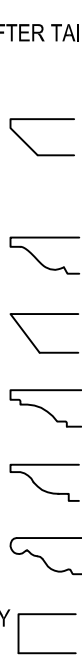
SELECT DESIRED RAFTER TAIL DESIGN:

STANDARD:

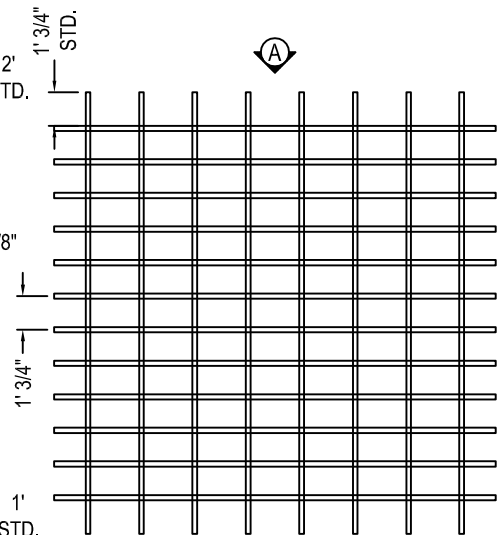
- NAPA (INCLUDED)

SEMI-CUSTOM:

- WINDSOR (917007)
- CRAFTSMAN (917002)
- KENSINGTON (917003)
- SPARTAN (917006)
- ROMAN (917005)
- CONTEMPORARY (917001)



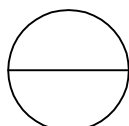
SUPPORT RAFTERS / BEAMS AND RAFTERS PLAN VIEW



RAFTERS AND PURLINS PLAN VIEW

**NOTES:**

1. INSTALLATION TO BE COMPLETED IN ACCORDANCE WITH MANUFACTURER'S SPECIFICATIONS WITH INCLUDED ARBOR-LOC® HARDWARE.
2. NOT PRINTED TO SCALE, CAD MODEL 1:1
3. THIS DRAWING IS INTENDED FOR USE BY ARCHITECTS, ENGINEERS, CONTRACTORS, CONSULTANTS AND DESIGN PROFESSIONALS FOR PLANNING PURPOSES ONLY. THIS DRAWING MAY NOT BE USED FOR CONSTRUCTION.
4. ALL INFORMATION CONTAINED HEREIN WAS CURRENT AT THE TIME OF DEVELOPMENT BUT MUST BE REVIEWED AND APPROVED BY THE PRODUCT MANUFACTURER TO BE CONSIDERED ACCURATE.
5. CONTRACTOR'S NOTE: FOR PRODUCT AND COMPANY INFORMATION VISIT [www.CADdetails.com/info](http://www.CADdetails.com/info) AND ENTER REFERENCE NUMBER 5118-007



**14' X 14' TRANQUILITY™ FREE-STANDING PERGOLAS**

TRANQUILITY™ 14' X 14' FREE-STANDING PERGOLA